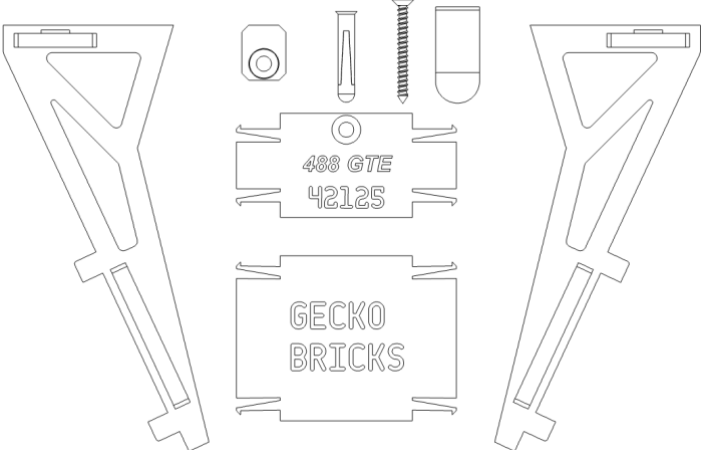


Wall Mount Instructions

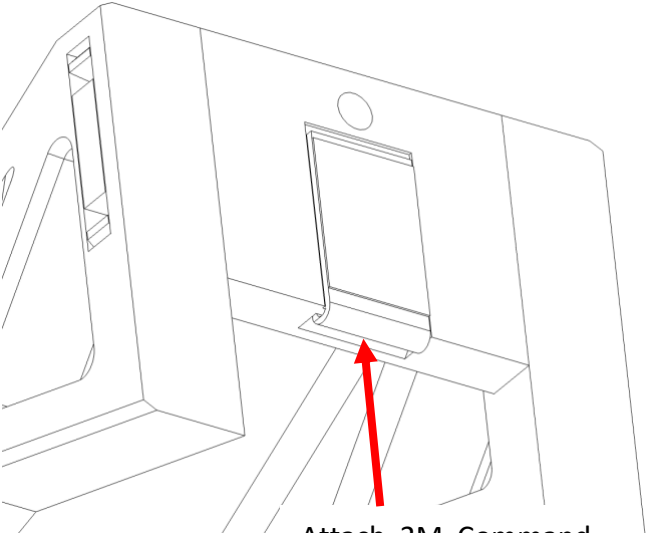
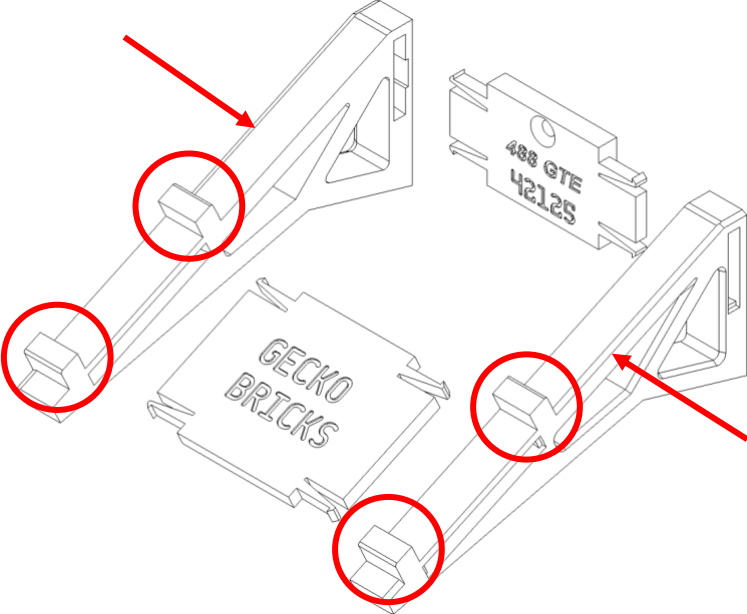
Ferrari 488 GTE – (42125)

Kit Contents:

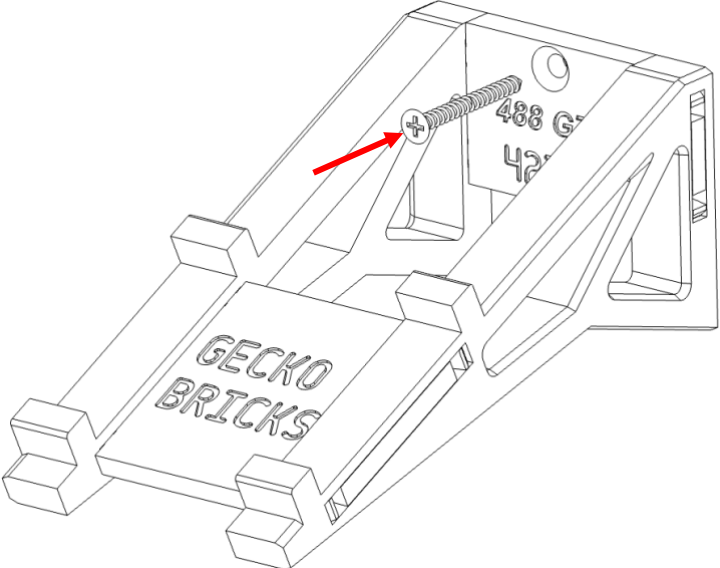
- 1x Left Arm
- 1x Right Arm
- 1x Back Stretcher
- 1x Front Stretcher
- 1x Flush Mount
- 1x Wall Screw
- 1x Wall Plug
- 1x Small Command strip



Angled Mount

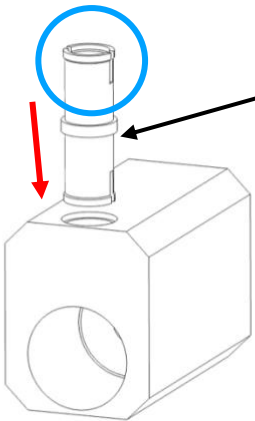


Attach 3M Command Strip and tuck bottom edge into slot.



Wall Mount Instructions

Ferrari 488 GTE – (42125)



Spare Technic Pin from Lego set.

